

42" H x 36" W x 20" D 1 DOOR DESIGN

NEMA 4/12 - ENCLOSURE
ELECTRICAL CABINET
FLOOR MOUNT



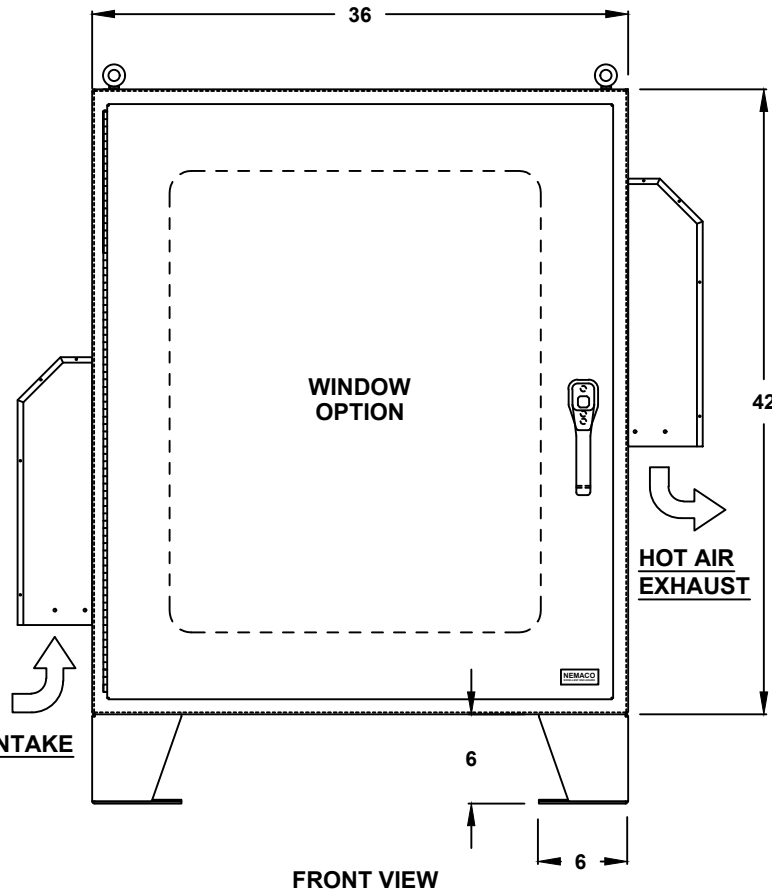
FILE NUMBER: E507642

- ENCLOSURE MATERIAL**
- POWDER COATED STEEL (CS)
 - POWDER COATED ALUMINUM (AL)

- POWDERCOAT COLOR**
- STANDARD WHITE
 - LIGHT GRAY ANSI 70
 - DARK GRAY ANSI 61
 - STANDARD BLACK
 - CUSTOM _____

- FLOOR KIT**
- 6" HT. (STANDARD)
 - 8" HT.
 - 10" HT.
 - 12" HT.
 - CUSTOM _____

- FLOOR KIT OPTIONS**
- FIXED FLOOR KIT
 - REMOVABLE FLOOR KIT



- LIFTING EYE**
- WELDED PADS (STANDARD)
 - REMOVABLE PADEYES
- DOOR HINGE**
- PIANO HINGE
 - LIFT OFF HINGE
- DOOR LATCH OPTIONS**
- 3 PT. LATCH (STANDARD)
 - CLAMP SCREW WITH HASP
- DOOR HANDLE**
- PADLOCK PROVISION (STANDARD)
 - KEYLOCK (OPTION)
- *WINDOW OPTIONS**
- TEMPERED GLASS
 - NOT REQUIRED

ALL DIMENSIONS ARE ESTIMATED IN INCHES AND MAY VARY DUE TO SELECTED OPTIONS.

*NOTE: UL & NON-UL OPTIONS AVAILABLE

COMPANY NAME

APPROVED (PRINTED NAME)

SIGNATURE

DATE

42" H x 36" W x 20" D 1 DOOR DESIGN

THERMAL SPECIFICATIONS

- OUTSIDE (AMBIENT) _____ °F
- INTERIOR TEMP. _____ °F
- HEAT LOAD (WATTS) _____
- SUN / SHADE _____

FAN SERIES

- 60FL SERIES, 18" H (40-92 CFM)
- 180FL SERIES, 24"H (177-179 CFM)
- 225FL SERIES, 24"H (350 CFM)

FAN MATERIALS

- BAKED POWDER STEEL
- STAINLESS STEEL

FAN SYSTEM

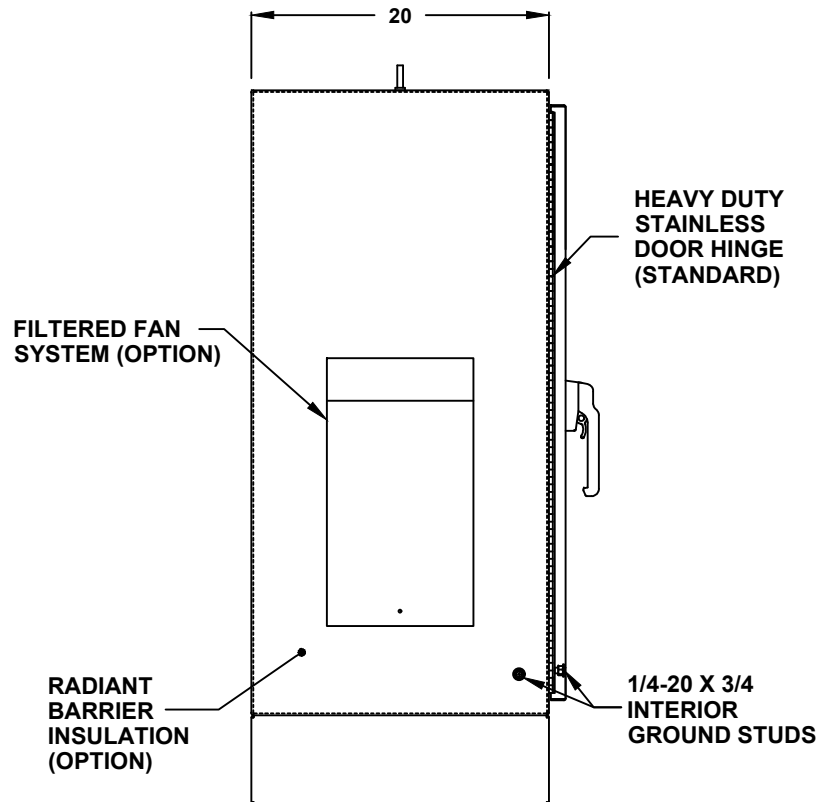
- PUSH-PULL SYSTEM (STANDARD)
- PUSH SYSTEM
- PULL SYSTEM
- NOT REQUIRED

FAN VOLTAGE/ HZ

- 115/60 (STANDARD)
- 230/60
- 12 VDC
- 24 VDC
- 48 VDC
- SPECIFY _____

ACCESSORIES AND OPTIONS

- REPLACEMENT FILTER



LEFT SIDE

SUN REFLECTIVE SOLUTION

- TOP SUNSHIELD COVER

ENCLOSURE INSULATION

- 1/2 RADIANT BARRIER (STANDARD)
- 3/4 RADIANT BARRIER
- 1 RADIANT BARRIER
- NOT REQUIRED

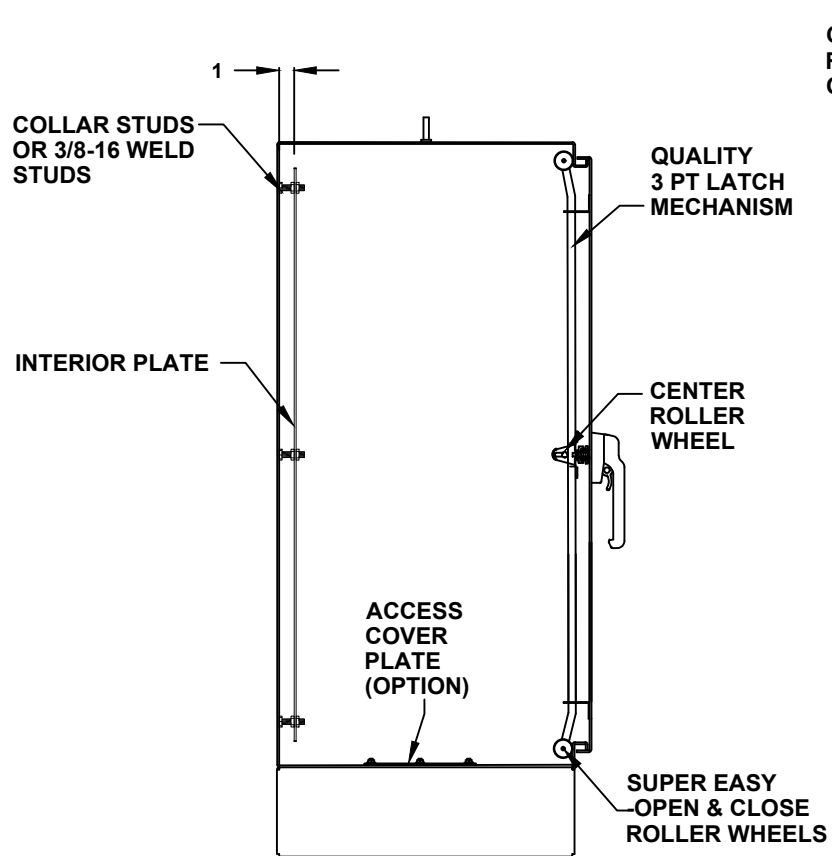
FAN SERVICE DOOR

- FAN SERVICE DOOR
- NOT REQUIRED

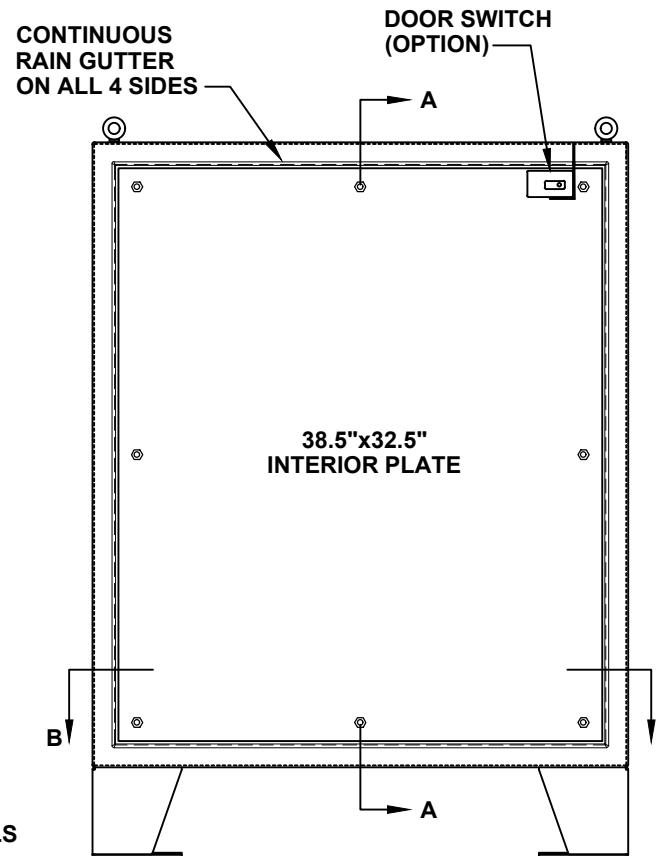
ENCLOSURE INSULATION

- 1/2 RADIANT BARRIER (STANDARD)
- 3/4 RADIANT BARRIER
- 1 RADIANT BARRIER
- NOT REQUIRED

42" H x 36" W x 20" D 1 DOOR DESIGN



CROSS SECTION VIEW A-A



FRONT VIEW WITH DOOR REMOVED

DOOR ACCESSORIES

- DOOR SWITCH
- PRINT POCKET

INTERIOR PLATE

- COATED STEEL (IP4236-CS)
- COATED ALUMINUM (IP4236-AL)
- 304 STAINLESS STEEL (IP4236-S4)
- 316 STAINLESS STEEL (IP4236-S6)

42" H x 36" W x 20" D 1 DOOR DESIGN

- DOOR STOPPER**
- INSTALL DOOR STOPPER
 - NOT REQUIRED

**BASE ACCESS COVER PLATE
(OPTION)**

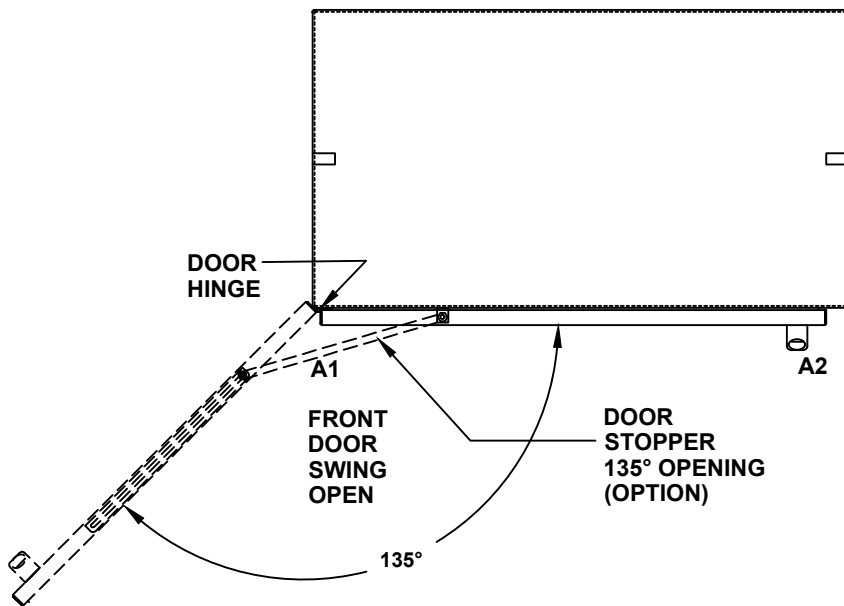
- 8x8 PLATE (6x6 CUT-OUT)
- 8x16 PLATE (6x14 CUT-OUT)
- 12x12 PLATE (10x10 CUT-OUT)
- 16x16 PLATE (14x14 CUT-OUT)

CONDUIT/CABLE SEAL OPTIONS

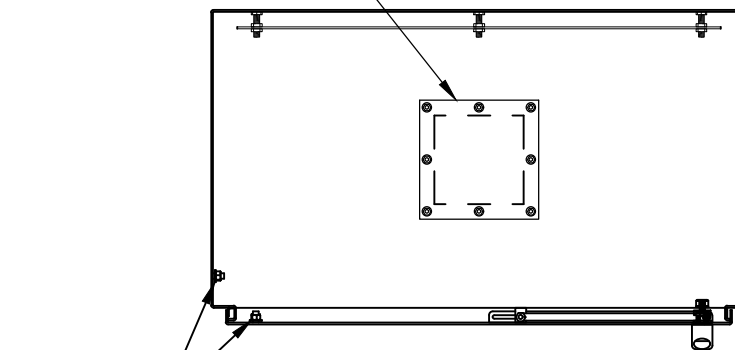
- ROXTEC SEAL SOLUTION
- PIPE FITTING HUB
- CABLE GLAND

SIDE ACCESS COVER PLATE MAT'L

- POWDER COATED STEEL
- POWDER COATED ALUMINUM
- STAINLESS STEEL, 304



TOP VIEW



- 1/4-20 X 3/4 INTERIOR GROUND STUDS
- BONDING STRAPS

**QUAD OUTLET BOX
ON 8x8 PLATE (OPTION)**

- ADD QUAD BOX
- 15A 115V RECEPTACLE
- 20A 115V RECEPTACLE
- NOT REQUIRED

TOP CROSS SECTION VIEW B-B

42" H x 36" W x 20" D 1 DOOR DESIGN

