

60" H x 36" W x 12" D 1 DOOR DESIGN

**NEMA 4/12 - ENCLOSURE
ELECTRICAL CABINET
FREE STANDING**



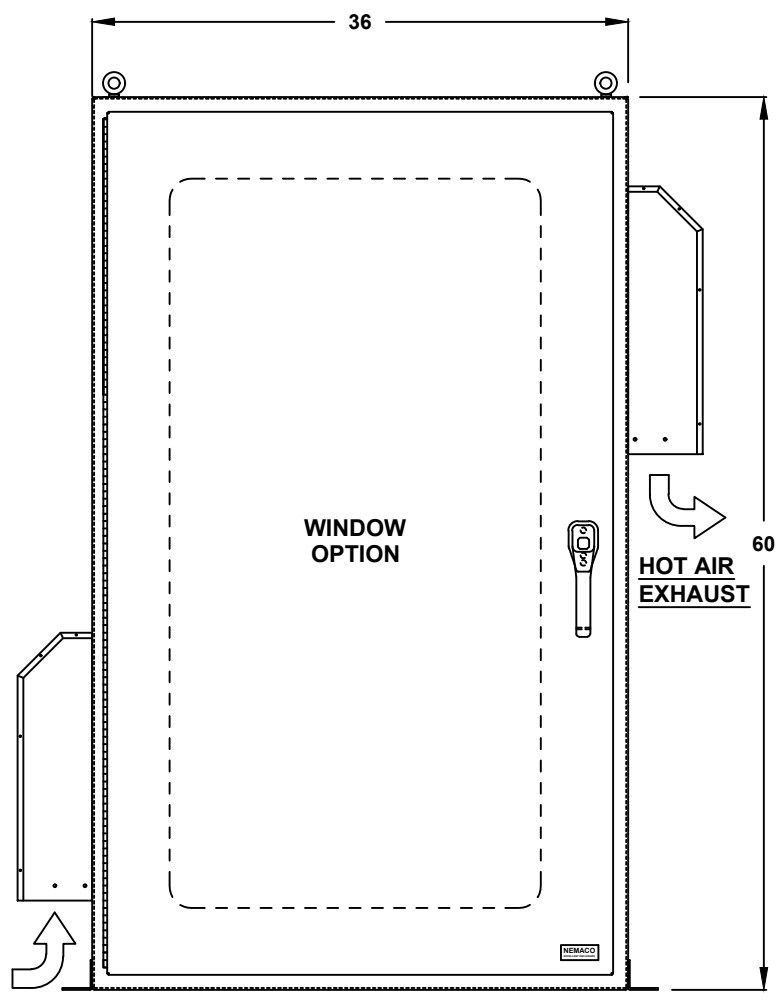
FILE NUMBER: E507642

- ENCLOSURE MATERIAL**
- POWDER COATED STEEL (CS)
 - POWDER COATED ALUMINUM (AL)

- POWDERCOAT COLOR**
- STANDARD WHITE
 - LIGHT GRAY ANSI 70
 - DARK GRAY ANSI 61
 - STANDARD BLACK
 - CUSTOM _____

- BASE EXTENSION**
- 2" BASE EXTENSION
 - 4" BASE EXTENSION
 - 6" BASE EXTENSION
 - 12" BASE EXTENSION
 - NOT REQUIRED

- EXTERIOR MOUNTING**
- EXTERIOR MOUNTING BRACKETS (STANDARD)
 - NOT REQUIRED



- LIFTING EYE**
- WELDED PADS (STANDARD)
 - REMOVABLE PADEYES
- DOOR HINGE**
- PIANO HINGE
 - LIFT OFF HINGE
- DOOR LATCH OPTIONS**
- 3 PT. LATCH (STANDARD)
 - CLAMP SCREW WITH HASP
- DOOR HANDLE**
- PADLOCK PROVISION (STANDARD)
 - KEYLOCK (OPTION)
- *WINDOW OPTIONS**
- TEMPERED GLASS
 - NOT REQUIRED

*NOTE: UL & NON-UL OPTIONS AVAILABLE

ALL DIMENSIONS ARE ESTIMATED IN INCHES AND MAY VARY DUE TO SELECTED OPTIONS.

COLD AIR INTAKE

FRONT VIEW

COMPANY NAME

APPROVED (PRINTED NAME)

SIGNATURE

DATE

60" H x 36" W x 12" D 1 DOOR DESIGN

- THERMAL SPECIFICATIONS**
- OUTSIDE (AMBIENT) _____ °F
 - INTERIOR TEMP. _____ °F
 - HEAT LOAD (WATTS) _____
 - SUN / SHADE _____

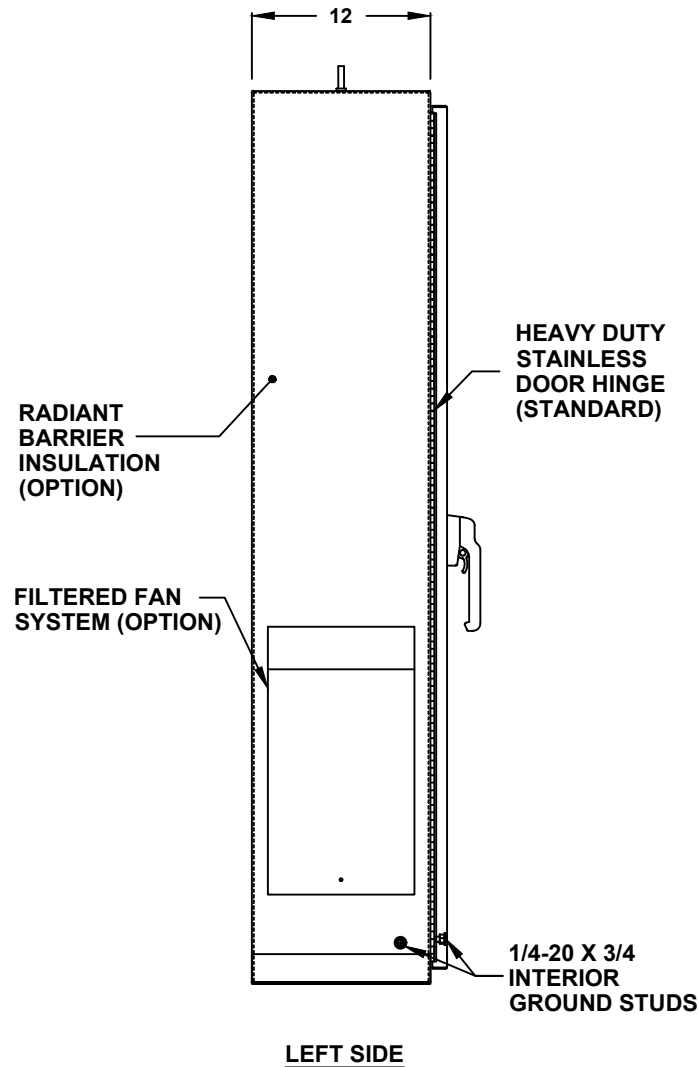
- FAN SERIES**
- 60FL SERIES, 18" H (40-92 CFM)
 - 180FL SERIES, 24"H (177-179 CFM)
 - 225FL SERIES, 24"H (350 CFM)

- FAN MATERIALS**
- BAKED POWDER STEEL
 - STAINLESS STEEL

- FAN SYSTEM**
- PUSH-PULL SYSTEM (STANDARD)
 - PUSH SYSTEM
 - PULL SYSTEM
 - NOT REQUIRED

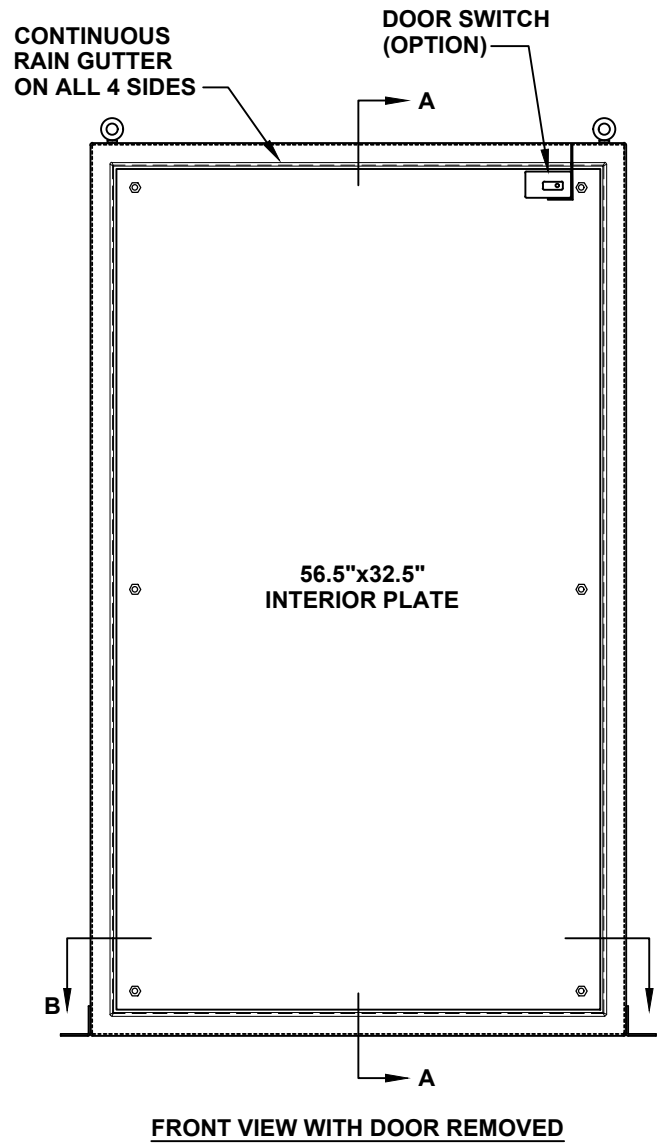
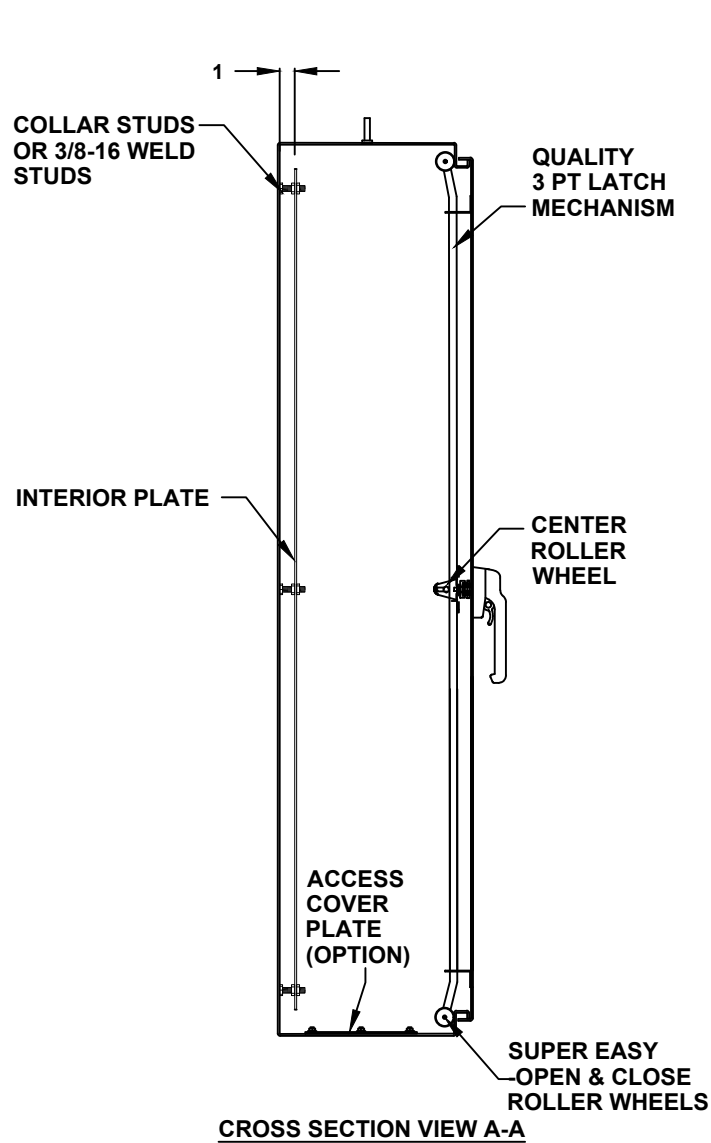
- FAN VOLTAGE/ HZ**
- 115/60 (STANDARD)
 - 230/60
 - 12 VDC
 - 24 VDC
 - 48 VDC
 - SPECIFY _____

- ACCESSORIES AND OPTIONS**
- REPLACEMENT FILTER



- SUN REFLECTIVE SOLUTION**
- TOP SUNSHIELD COVER
- ENCLOSURE INSULATION**
- 1/2 RADIANT BARRIER (STANDARD)
 - 3/4 RADIANT BARRIER
 - 1 RADIANT BARRIER
 - NOT REQUIRED
- FAN SERVICE DOOR**
- FAN SERVICE DOOR
 - NOT REQUIRED
- ENCLOSURE INSULATION**
- 1/2 RADIANT BARRIER (STANDARD)
 - 3/4 RADIANT BARRIER
 - 1 RADIANT BARRIER
 - NOT REQUIRED

60" H x 36" W x 12" D 1 DOOR DESIGN



DOOR ACCESSORIES

- DOOR SWITCH
- PRINT POCKET

INTERIOR PLATE

- COATED STEEL (IP6036-CS)
- COATED ALUMINUM (IP6036-AL)
- 304 STAINLESS STEEL (IP6036-S4)
- 316 STAINLESS STEEL (IP6036-S6)

60" H x 36" W x 12" D 1 DOOR DESIGN

- DOOR STOPPER**
- INSTALL DOOR STOPPER
 - NOT REQUIRED

**BASE ACCESS COVER PLATE
(OPTION)**

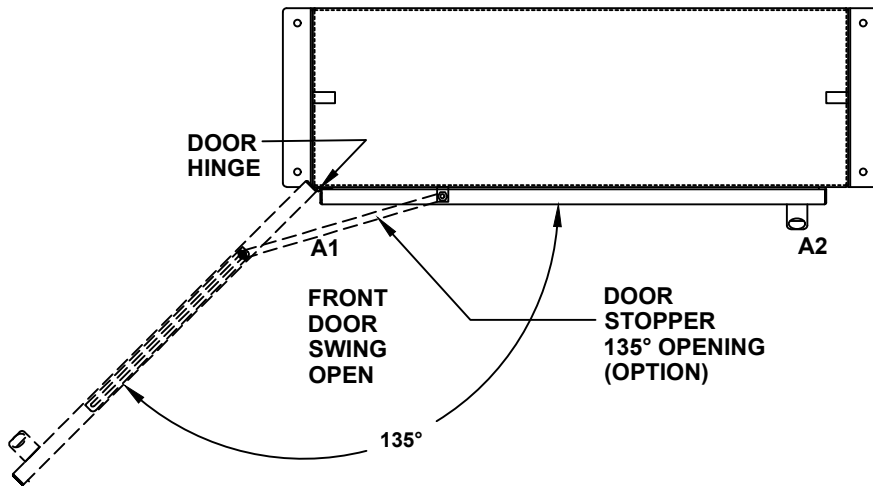
- 8x8 PLATE (6x6 CUT-OUT)
- 8x16 PLATE (6x14 CUT-OUT)
- 12x12 PLATE (10x10 CUT-OUT)
- 16x16 PLATE (14x14 CUT-OUT)

CONDUIT/CABLE SEAL OPTIONS

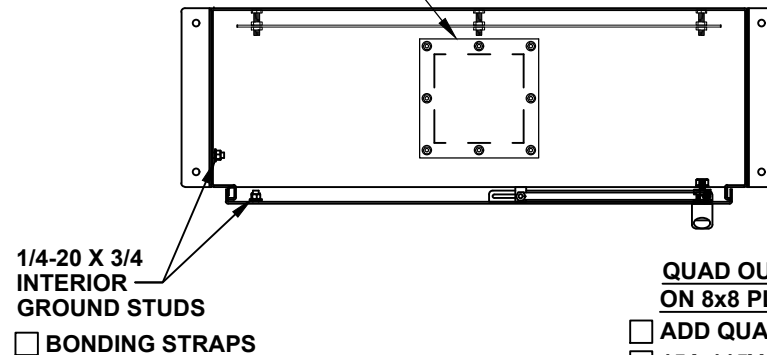
- ROXTEC SEAL SOLUTION
- PIPE FITTING HUB
- CABLE GLAND

SIDE ACCESS COVER PLATE MAT'L

- POWDER COATED STEEL
- POWDER COATED ALUMINUM
- STAINLESS STEEL, 304



TOP VIEW

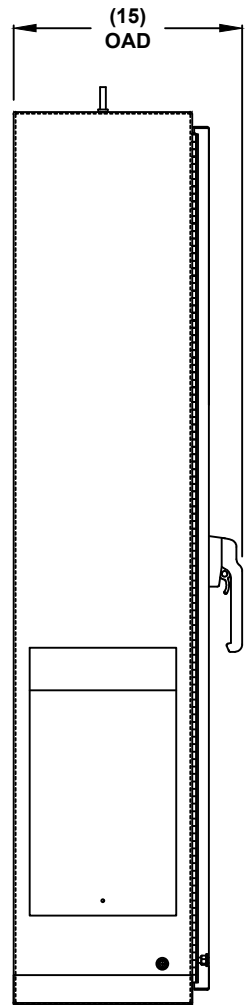


TOP CROSS SECTION VIEW B-B

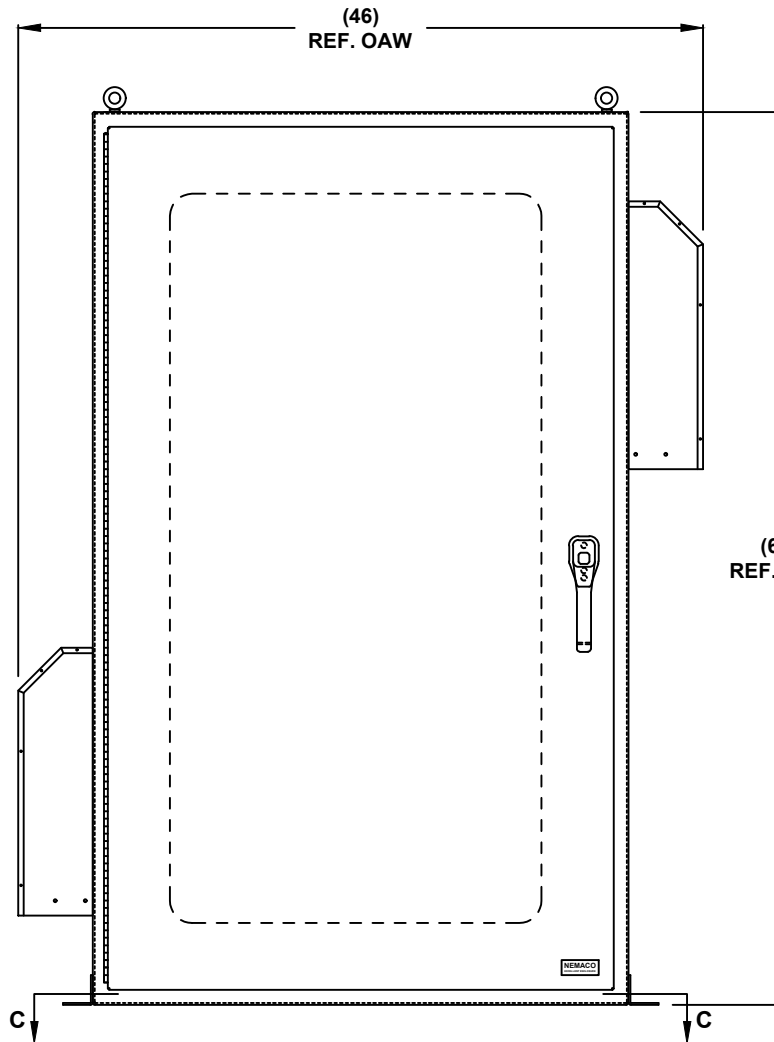
**QUAD OUTLET BOX
ON 8x8 PLATE (OPTION)**

- ADD QUAD BOX
- 15A 115V RECEPTACLE
- 20A 115V RECEPTACLE
- NOT REQUIRED

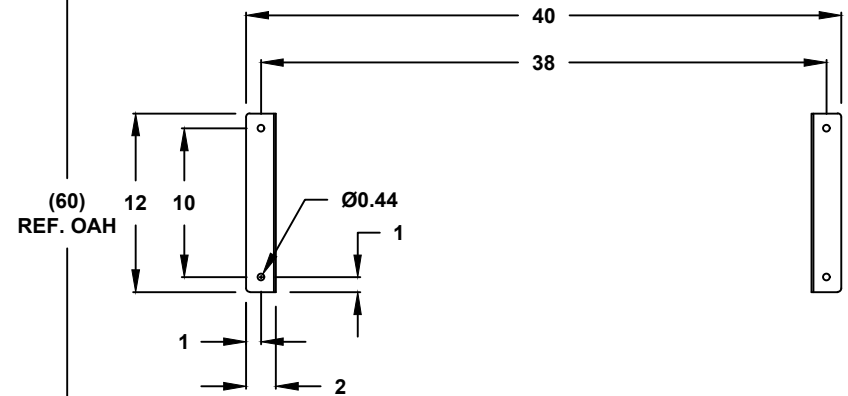
60" H x 36" W x 12" D 1 DOOR DESIGN



LEFT SIDE



FRONT VIEW



CROSS SECTION VIEW C-C
MOUNTING HOLES