

# 60" H x 36" W x 24" D 1 DOOR DESIGN

NEMA 4/12 - ENCLOSURE  
ELECTRICAL CABINET  
FREE STANDING



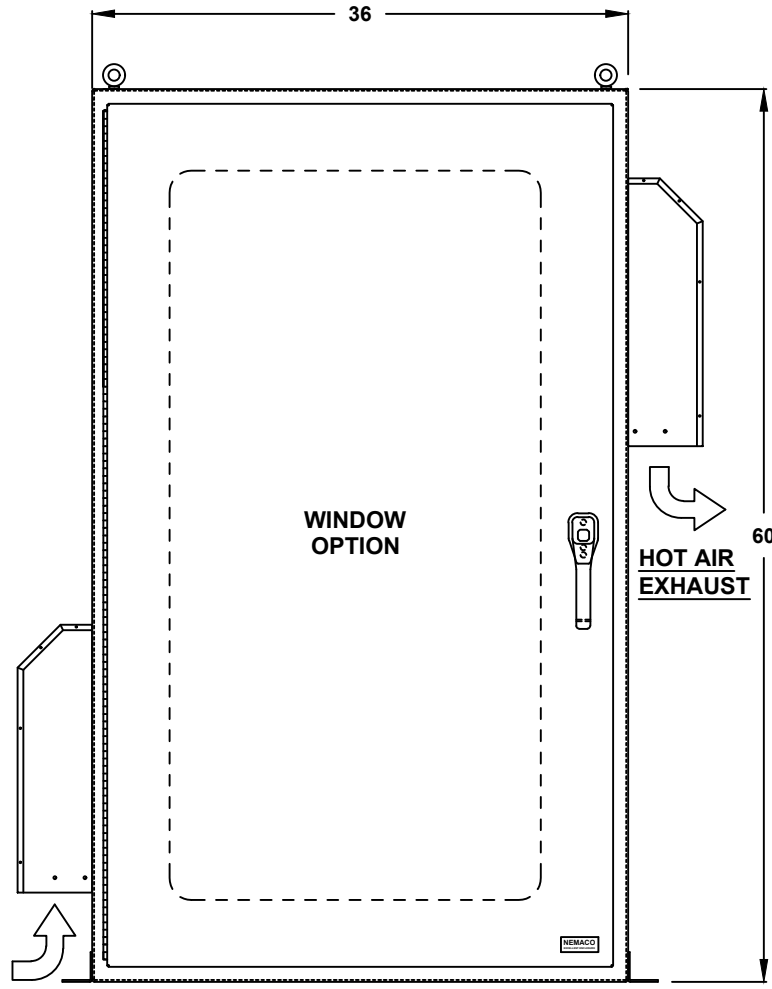
FILE NUMBER: E507642

- ENCLOSURE MATERIAL**
- POWDER COATED STEEL (CS)
  - POWDER COATED ALUMINUM (AL)

- POWDERCOAT COLOR**
- STANDARD WHITE
  - LIGHT GRAY ANSI 70
  - DARK GRAY ANSI 61
  - STANDARD BLACK
  - CUSTOM \_\_\_\_\_

- BASE EXTENSION**
- 2" BASE EXTENSION
  - 4" BASE EXTENSION
  - 6" BASE EXTENSION
  - 12" BASE EXTENSION
  - NOT REQUIRED

- EXTERIOR MOUNTING**
- EXTERIOR MOUNTING BRACKETS (STANDARD)
  - NOT REQUIRED



- LIFTING EYE**
- WELDED PADS (STANDARD)
  - REMOVABLE PADEYES
- DOOR HINGE**
- PIANO HINGE
  - LIFT OFF HINGE
- DOOR LATCH OPTIONS**
- 3 PT. LATCH (STANDARD)
  - CLAMP SCREW WITH HASP
- DOOR HANDLE**
- PADLOCK PROVISION (STANDARD)
  - KEYLOCK (OPTION)
- \*WINDOW OPTIONS**
- TEMPERED GLASS
  - NOT REQUIRED

\*NOTE: UL & NON-UL OPTIONS AVAILABLE

ALL DIMENSIONS ARE ESTIMATED IN INCHES AND MAY VARY DUE TO SELECTED OPTIONS.

COLD AIR INTAKE

FRONT VIEW

\_\_\_\_\_  
COMPANY NAME

\_\_\_\_\_  
APPROVED (PRINTED NAME)

\_\_\_\_\_  
SIGNATURE

\_\_\_\_\_  
DATE

# 60" H x 36" W x 24" D 1 DOOR DESIGN

- THERMAL SPECIFICATIONS**
- OUTSIDE (AMBIENT) \_\_\_\_\_ °F
  - INTERIOR TEMP. \_\_\_\_\_ °F
  - HEAT LOAD (WATTS) \_\_\_\_\_
  - SUN / SHADE \_\_\_\_\_

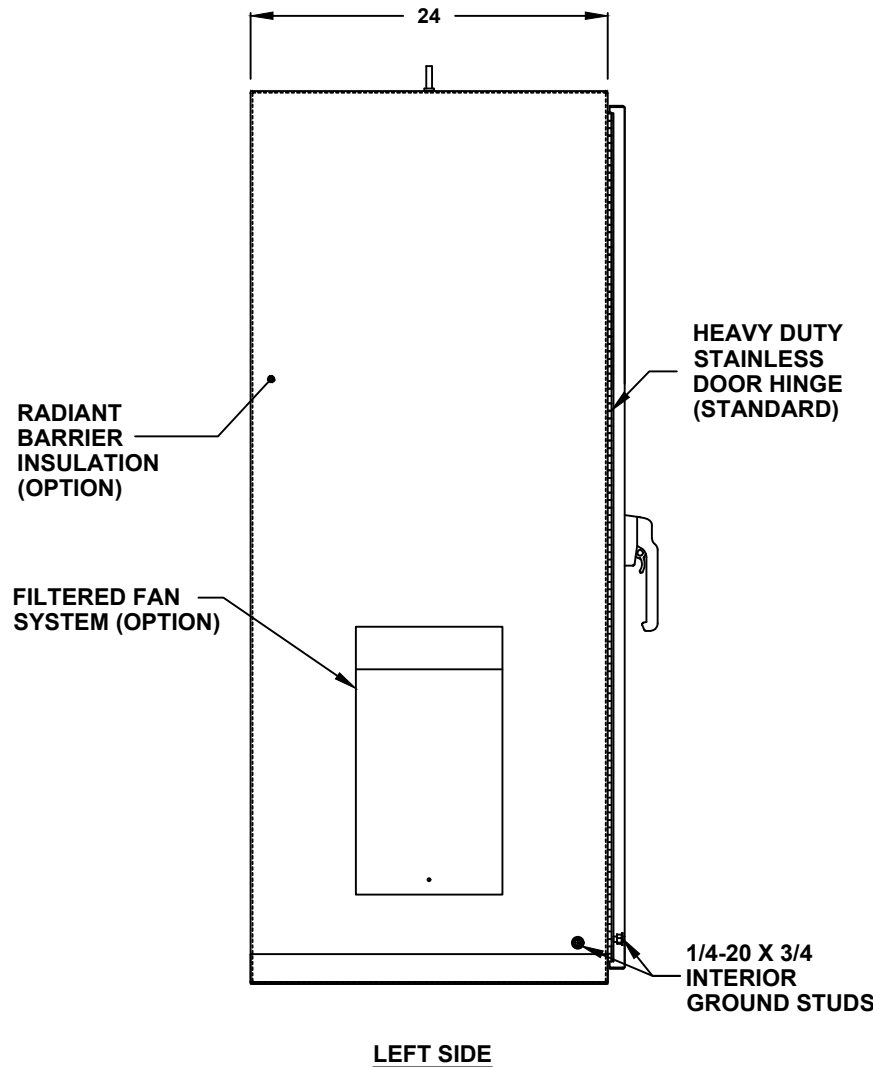
- FAN SERIES**
- 60FL SERIES, 18" H (40-92 CFM)
  - 180FL SERIES, 24"H (177-179 CFM)
  - 225FL SERIES, 24"H (350 CFM)

- FAN MATERIALS**
- BAKED POWDER STEEL
  - STAINLESS STEEL

- FAN SYSTEM**
- PUSH-PULL SYSTEM (STANDARD)
  - PUSH SYSTEM
  - PULL SYSTEM
  - NOT REQUIRED

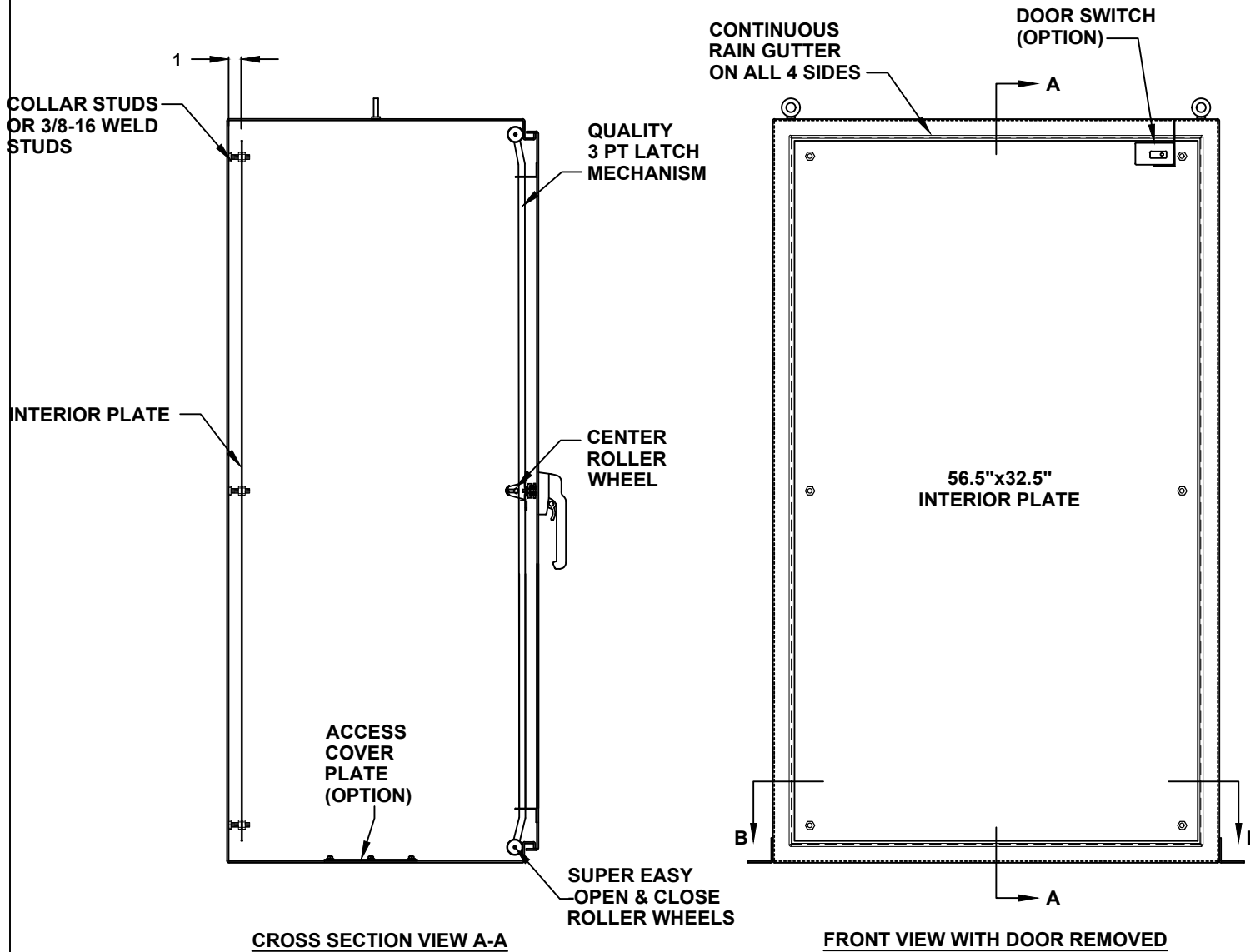
- FAN VOLTAGE/ HZ**
- 115/60 (STANDARD)
  - 230/60
  - 12 VDC
  - 24 VDC
  - 48 VDC
  - SPECIFY \_\_\_\_\_

- ACCESSORIES AND OPTIONS**
- REPLACEMENT FILTER



- SUN REFLECTIVE SOLUTION**
- TOP SUNSHIELD COVER
- ENCLOSURE INSULATION**
- 1/2 RADIANT BARRIER (STANDARD)
  - 3/4 RADIANT BARRIER
  - 1 RADIANT BARRIER
  - NOT REQUIRED
- FAN SERVICE DOOR**
- FAN SERVICE DOOR
  - NOT REQUIRED
- ENCLOSURE INSULATION**
- 1/2 RADIANT BARRIER (STANDARD)
  - 3/4 RADIANT BARRIER
  - 1 RADIANT BARRIER
  - NOT REQUIRED

# 60" H x 36" W x 24" D 1 DOOR DESIGN



**DOOR ACCESSORIES**

- DOOR SWITCH
- PRINT POCKET

**INTERIOR PLATE**

- COATED STEEL (IP6036-CS)
- COATED ALUMINUM (IP6036-AL)
- 304 STAINLESS STEEL (IP6036-S4)
- 316 STAINLESS STEEL (IP6036-S6)

# 60" H x 36" W x 24" D 1 DOOR DESIGN

- DOOR STOPPER**
- INSTALL DOOR STOPPER
  - NOT REQUIRED

**BASE ACCESS COVER PLATE (OPTION)**

- 8x8 PLATE (6x6 CUT-OUT)
- 8x16 PLATE (6x14 CUT-OUT)
- 12x12 PLATE (10x10 CUT-OUT)
- 16x16 PLATE (14x14 CUT-OUT)

**CONDUIT/CABLE SEAL OPTIONS**

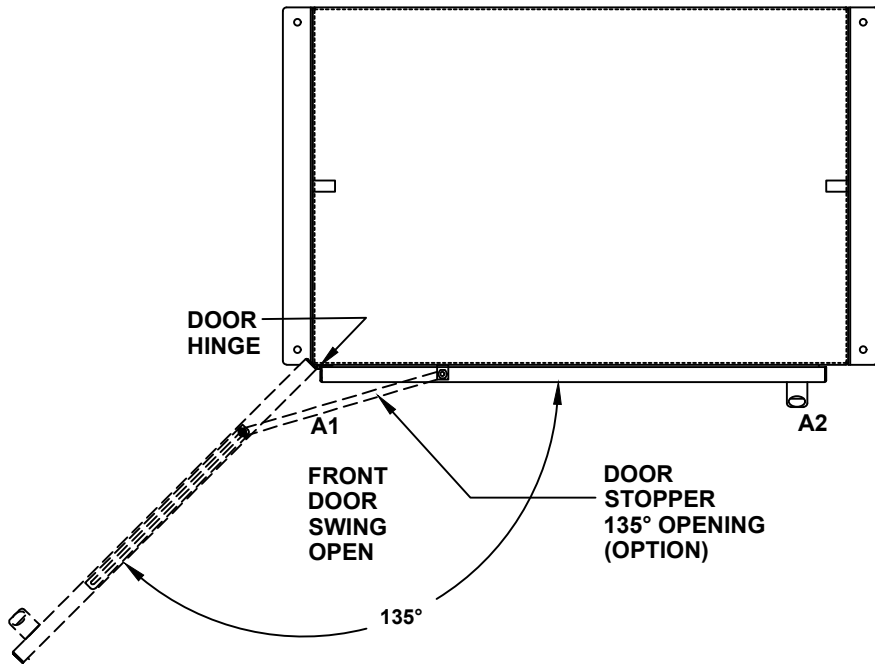
- ROXTEC SEAL SOLUTION
- PIPE FITTING HUB
- CABLE GLAND

**SIDE ACCESS COVER PLATE MAT'L**

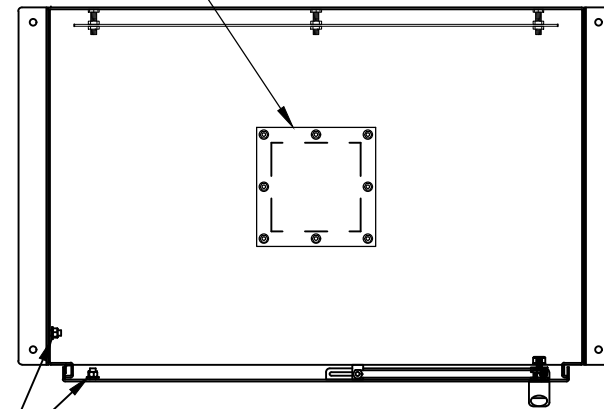
- POWDER COATED STEEL
- POWDER COATED ALUMINUM
- STAINLESS STEEL, 304

- 1/4-20 X 3/4 INTERIOR GROUND STUDS**
- BONDING STRAPS

- QUAD OUTLET BOX ON 8x8 PLATE (OPTION)**
- ADD QUAD BOX
  - 15A 115V RECEPTACLE
  - 20A 115V RECEPTACLE
  - NOT REQUIRED



**TOP VIEW**



**TOP CROSS SECTION VIEW B-B**

# 60" H x 36" W x 24" D 1 DOOR DESIGN

