

# 36" H x 36" W x 12" D 1 DOOR DESIGN



FILE NUMBER: E507642

NEMA 4X - ENCLOSURE  
ELECTRICAL CABINET  
FLOOR MOUNT

## STAINLESS STEEL

### ENCLOSURE MATERIAL

- 304 STAINLESS STEEL (S4)
- 316 STAINLESS STEEL (S6)

### POWDERCOAT COLOR

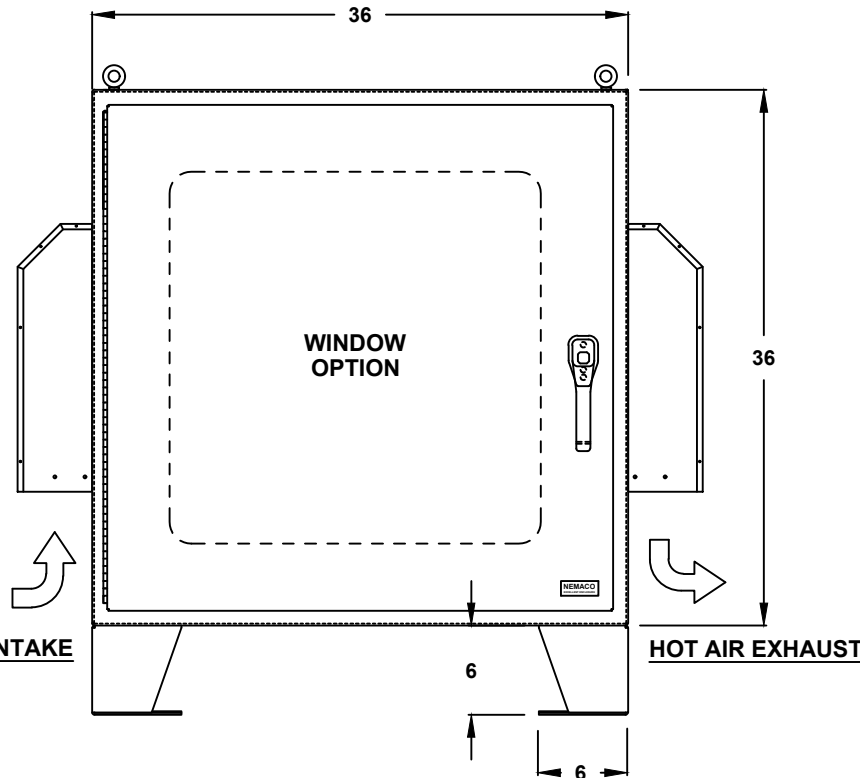
- STANDARD WHITE
- LIGHT GRAY ANSI 70
- DARK GRAY ANSI 61
- STANDARD BLACK
- CUSTOM \_\_\_\_\_

### FLOOR KIT

- 6" HT. (STANDARD)
- 8" HT.
- 10" HT.
- 12" HT.
- CUSTOM \_\_\_\_\_

### FLOOR KIT OPTIONS

- FIXED FLOOR KIT
- REMOVABLE FLOOR KIT



FRONT VIEW

### LIFTING EYE

- WELDED PADS (STANDARD)
- REMOVABLE PADEYES

### DOOR HINGE

- PIANO HINGE
- LIFT OFF HINGE

### DOOR LATCH OPTIONS

- 3 PT. LATCH (STANDARD)
- CLAMP SCREW WITH HASP

### DOOR HANDLE

- PADLOCK PROVISION (STANDARD)
- KEYLOCK (OPTION)

### \*WINDOW OPTIONS

- TEMPERED GLASS
- NOT REQUIRED

ALL DIMENSIONS ARE ESTIMATED IN INCHES  
AND MAY VARY DUE TO SELECTED OPTIONS.

\*NOTE: UL & NON-UL OPTIONS  
AVAILABLE

COMPANY NAME \_\_\_\_\_

APPROVED (PRINTED NAME) \_\_\_\_\_

SIGNATURE \_\_\_\_\_

DATE \_\_\_\_\_

# 36" H x 36" W x 12" D 1 DOOR DESIGN

**THERMAL SPECIFICATIONS**

- OUTSIDE (AMBIENT) \_\_\_\_\_ °F
- INTERIOR TEMP. \_\_\_\_\_ °F
- HEAT LOAD (WATTS) \_\_\_\_\_
- SUN / SHADE \_\_\_\_\_

**FAN SERIES**

- 60FL SERIES, 18" H (40-92 CFM)
- 180FL SERIES, 24"H (177-179 CFM)
- 225FL SERIES, 24"H (350 CFM)

**FAN MATERIALS**

- BAKED POWDER STEEL
- STAINLESS STEEL

**FAN SYSTEM**

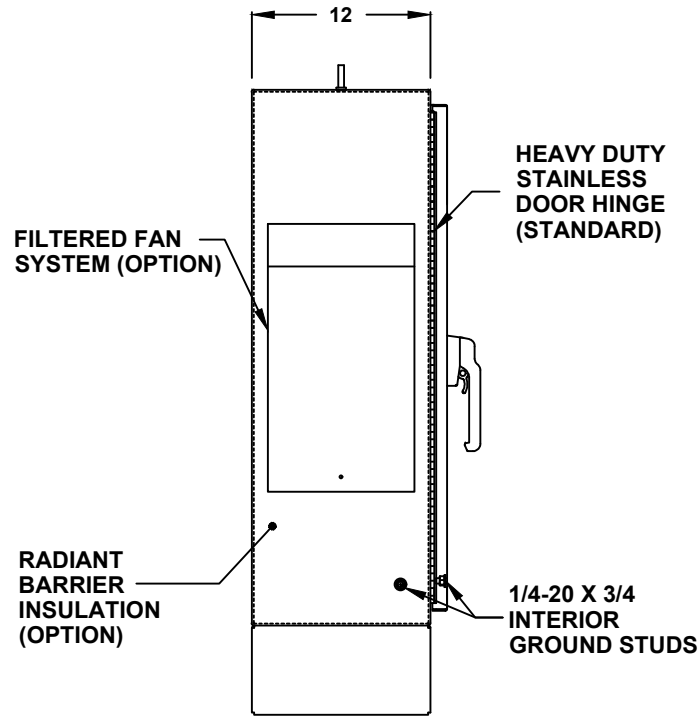
- PUSH-PULL SYSTEM (STANDARD)
- PUSH SYSTEM
- PULL SYSTEM
- NOT REQUIRED

**FAN VOLTAGE/ HZ**

- 115/60 (STANDARD)
- 230/60
- 12 VDC
- 24 VDC
- 48 VDC
- SPECIFY \_\_\_\_\_

**ACCESSORIES AND OPTIONS**

- REPLACEMENT FILTER



LEFT SIDE

**SUN REFLECTIVE SOLUTION**

- TOP SUNSHIELD COVER

**ENCLOSURE INSULATION**

- 1/2 RADIANT BARRIER (STANDARD)
- 3/4 RADIANT BARRIER
- 1 RADIANT BARRIER
- NOT REQUIRED

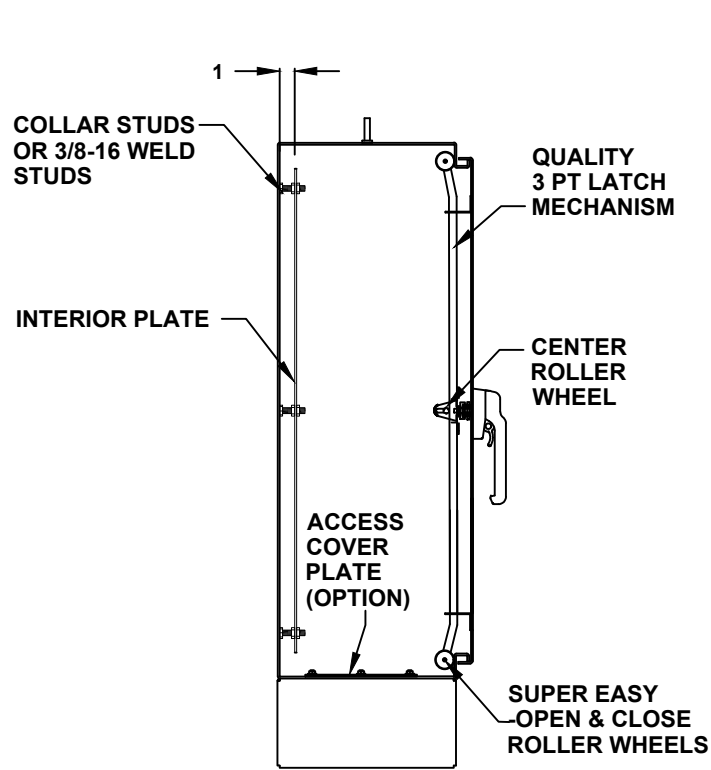
**FAN SERVICE DOOR**

- FAN SERVICE DOOR
- NOT REQUIRED

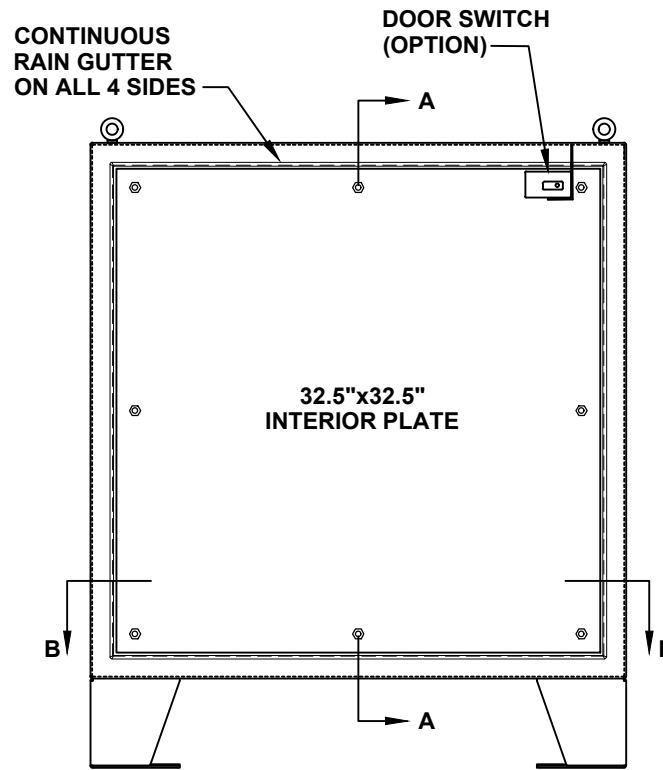
**ENCLOSURE INSULATION**

- 1/2 RADIANT BARRIER (STANDARD)
- 3/4 RADIANT BARRIER
- 1 RADIANT BARRIER
- NOT REQUIRED

# 36" H x 36" W x 12" D 1 DOOR DESIGN



CROSS SECTION VIEW A-A



FRONT VIEW WITH DOOR REMOVED

DOOR ACCESSORIES

- DOOR SWITCH
- PRINT POCKET

INTERIOR PLATE

- COATED STEEL (IP3636-CS)
- COATED ALUMINUM (IP3636-AL)
- 304 STAINLESS STEEL (IP3636-S4)
- 316 STAINLESS STEEL (IP3636-S6)

# 36" H x 36" W x 12" D 1 DOOR DESIGN

- DOOR STOPPER**
- INSTALL DOOR STOPPER
  - NOT REQUIRED

**BASE ACCESS COVER PLATE  
(OPTION)**

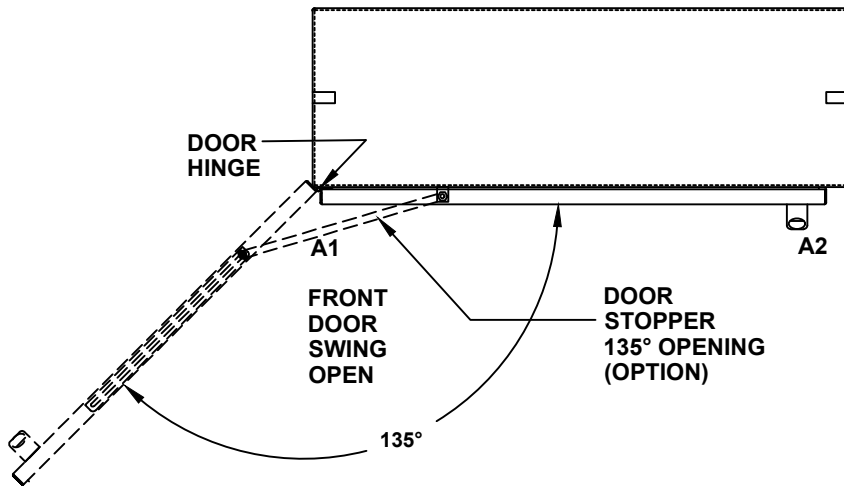
- 8x8 PLATE (6x6 CUT-OUT)
- 8x16 PLATE (6x14 CUT-OUT)
- 12x12 PLATE (10x10 CUT-OUT)
- 16x16 PLATE (14x14 CUT-OUT)

**CONDUIT/CABLE SEAL OPTIONS**

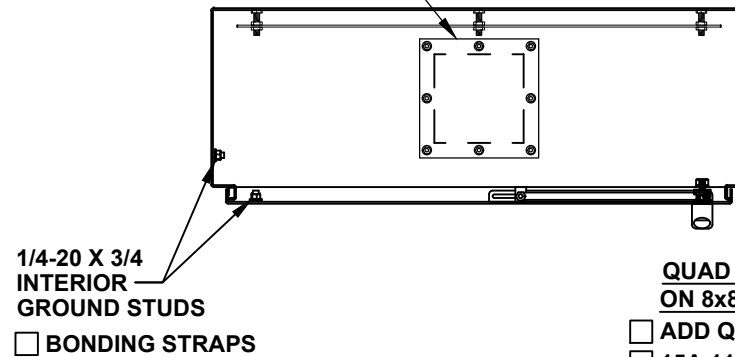
- ROXTEC SEAL SOLUTION
- PIPE FITTING HUB
- CABLE GLAND

**SIDE ACCESS COVER PLATE MAT'L**

- POWDER COATED STEEL
- POWDER COATED ALUMINUM
- STAINLESS STEEL, 304



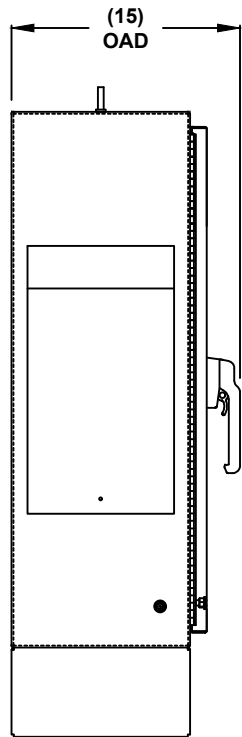
**TOP VIEW**



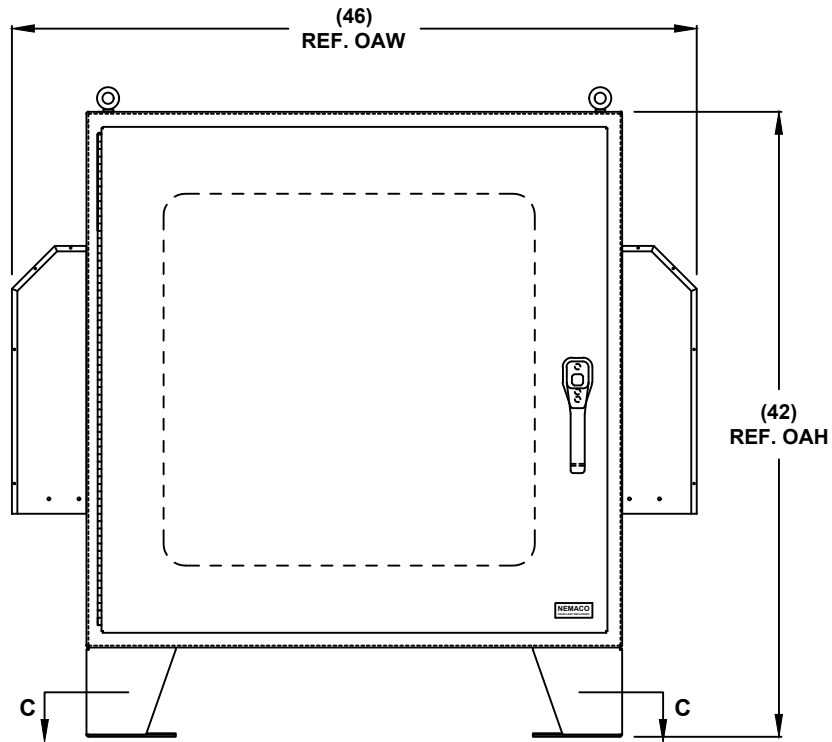
**TOP CROSS SECTION VIEW B-B**

- QUAD OUTLET BOX  
ON 8x8 PLATE (OPTION)**
- ADD QUAD BOX
  - 15A 115V RECEPTACLE
  - 20A 115V RECEPTACLE
  - NOT REQUIRED

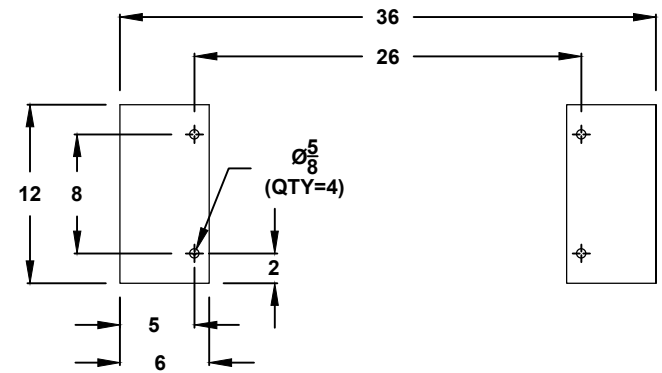
# 36" H x 36" W x 12" D 1 DOOR DESIGN



LEFT SIDE



FRONT VIEW



CROSS SECTION VIEW C-C  
MOUNTING HOLES