

66" H x 30" W x 12" D 1 DOOR DESIGN

NEMA 4X - ENCLOSURE
ELECTRICAL CABINET
FREE STANDING



FILE NUMBER: E507642

STAINLESS STEEL

ENCLOSURE MATERIAL

- 304 STAINLESS STEEL (S4)
- 316 STAINLESS STEEL (S6)

POWDERCOAT COLOR

- STANDARD WHITE
- LIGHT GRAY ANSI 70
- DARK GRAY ANSI 61
- STANDARD BLACK
- CUSTOM _____

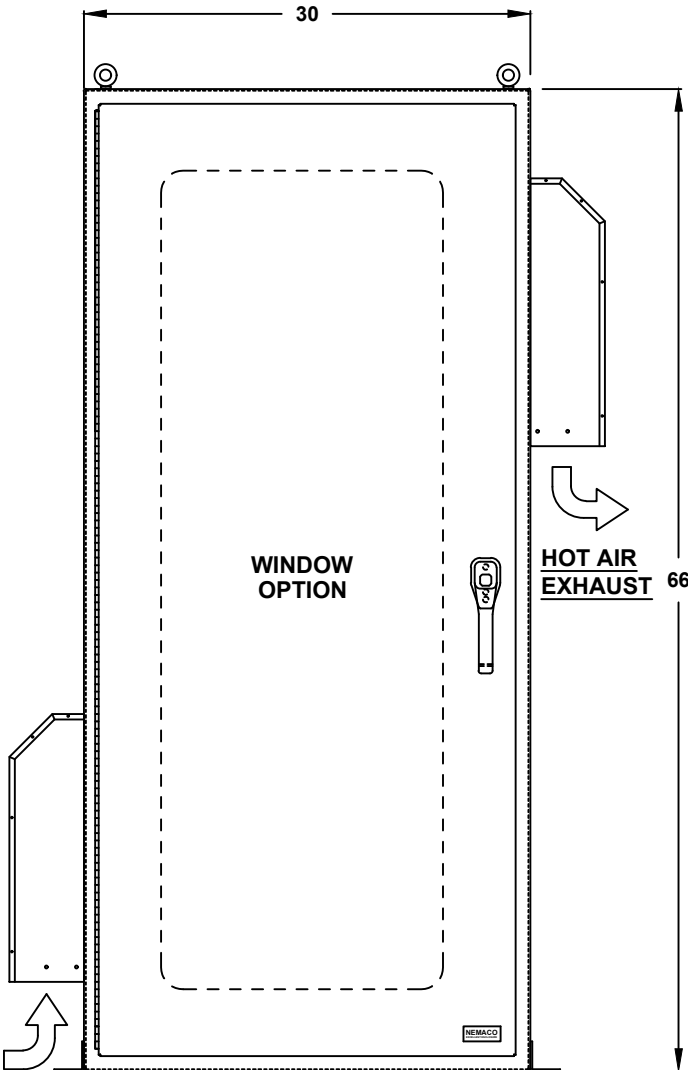
BASE EXTENSION

- 2" BASE EXTENSION
- 4" BASE EXTENSION
- 6" BASE EXTENSION
- 12" BASE EXTENSION
- NOT REQUIRED

EXTERIOR MOUNTING

- EXTERIOR MOUNTING BRACKETS (STANDARD)
- NOT REQUIRED

ALL DIMENSIONS ARE ESTIMATED IN INCHES
AND MAY VARY DUE TO SELECTED OPTIONS.



FRONT VIEW

LIFTING EYE

- WELDED PADS (STANDARD)
- REMOVABLE PADEYES

DOOR HINGE

- PIANO HINGE
- LIFT OFF HINGE

DOOR LATCH OPTIONS

- 3 PT. LATCH (STANDARD)
- CLAMP SCREW WITH HASP

DOOR HANDLE

- PADLOCK PROVISION (STANDARD)
- KEYLOCK (OPTION)

*WINDOW OPTIONS

- TEMPERED GLASS
- NOT REQUIRED

*NOTE: UL & NON-UL OPTIONS
AVAILABLE

COMPANY NAME _____

APPROVED (PRINTED NAME) _____

SIGNATURE _____ DATE _____

66" H x 30" W x 12" D 1 DOOR DESIGN

- THERMAL SPECIFICATIONS**
- OUTSIDE (AMBIENT) _____ °F
 - INTERIOR TEMP. _____ °F
 - HEAT LOAD (WATTS) _____
 - SUN / SHADE _____

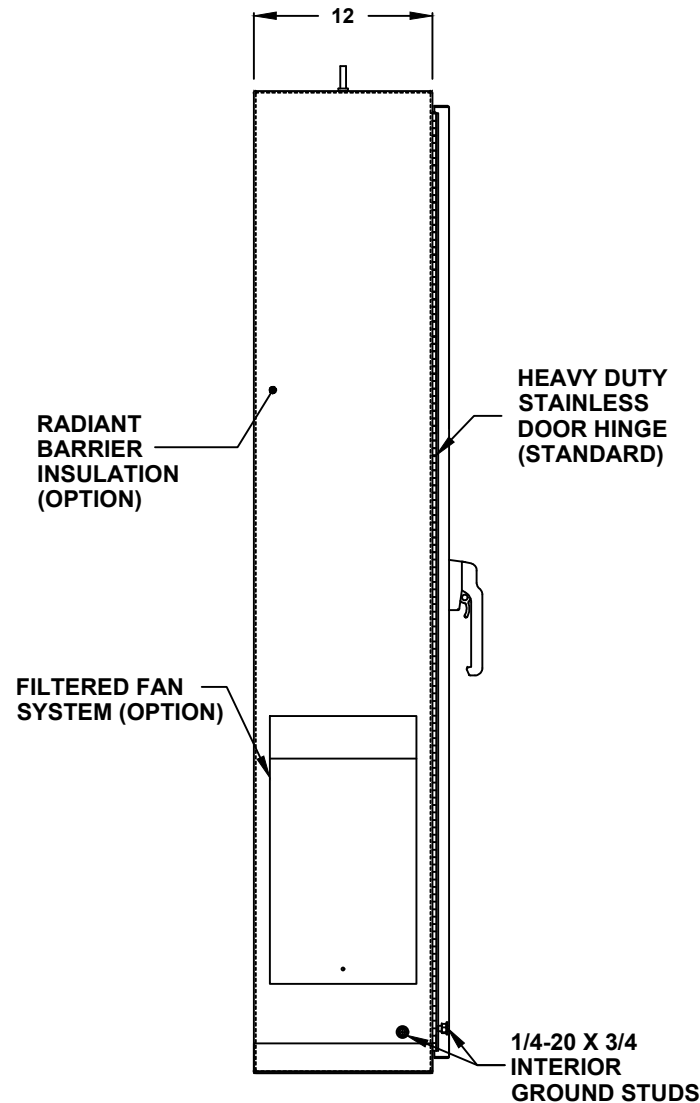
- FAN SERIES**
- 60FL SERIES, 18" H (40-92 CFM)
 - 180FL SERIES, 24"H (177-179 CFM)
 - 225FL SERIES, 24"H (350 CFM)

- FAN MATERIALS**
- BAKED POWDER STEEL
 - STAINLESS STEEL

- FAN SYSTEM**
- PUSH-PULL SYSTEM (STANDARD)
 - PUSH SYSTEM
 - PULL SYSTEM
 - NOT REQUIRED

- FAN VOLTAGE/ HZ**
- 115/60 (STANDARD)
 - 230/60
 - 12 VDC
 - 24 VDC
 - 48 VDC
 - SPECIFY _____

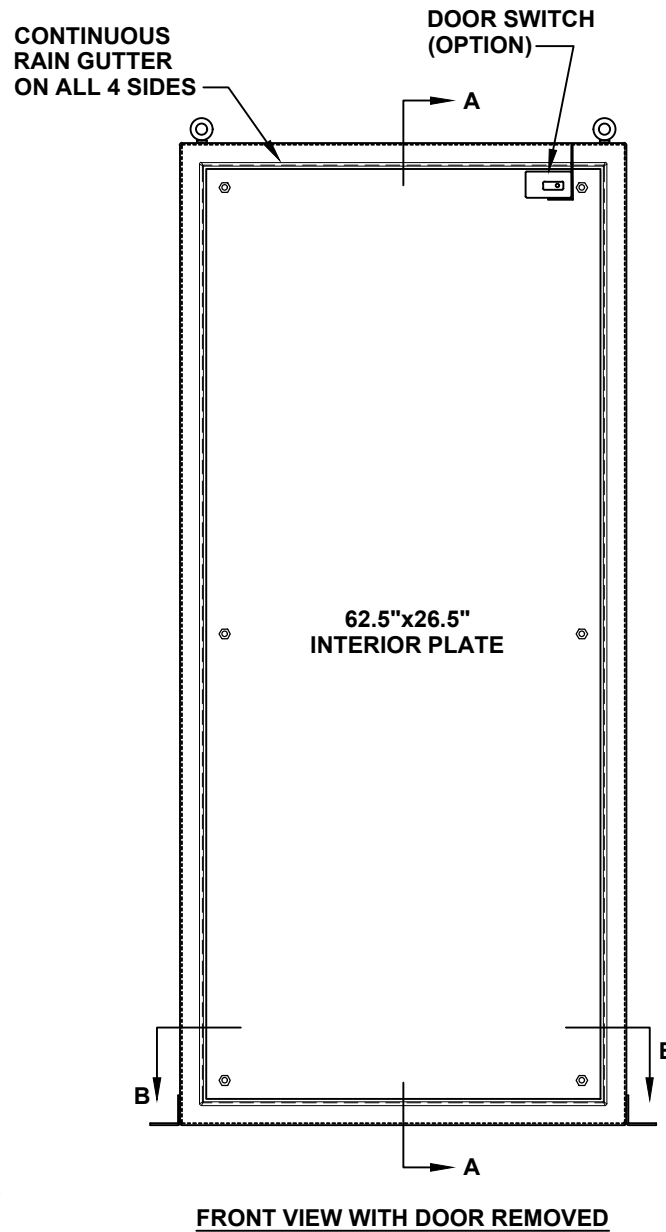
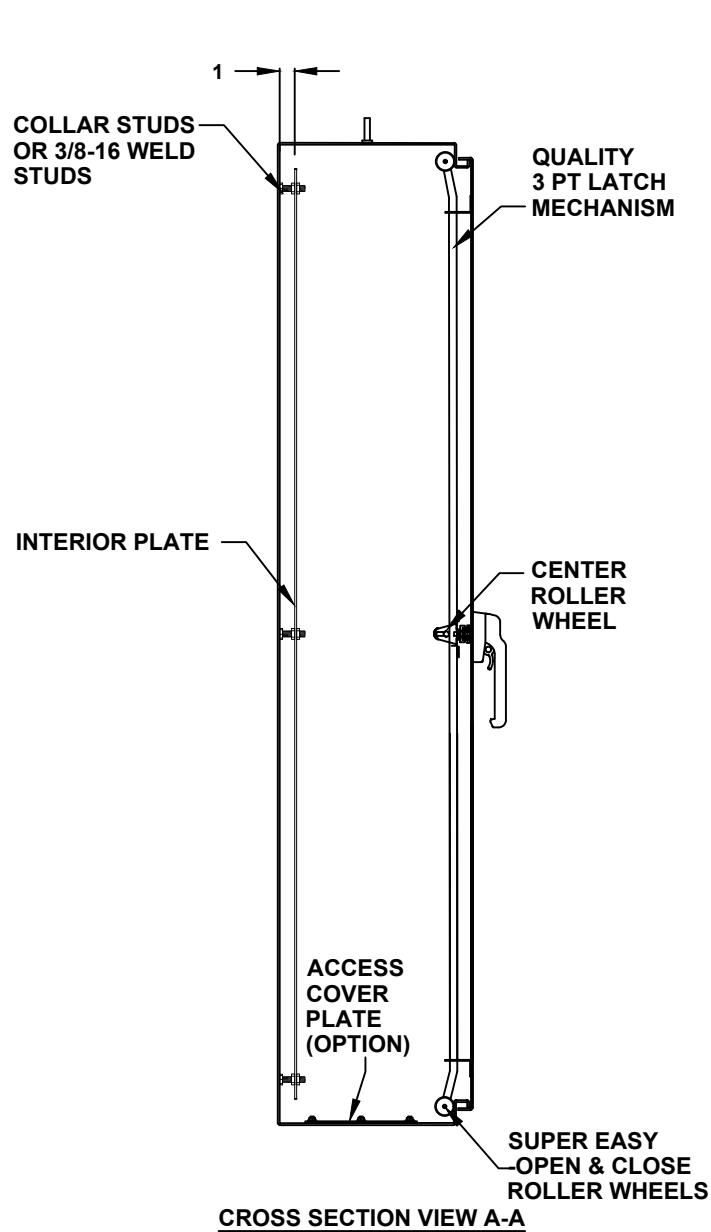
- ACCESSORIES AND OPTIONS**
- REPLACEMENT FILTER



LEFT SIDE

- SUN REFLECTIVE SOLUTION**
- TOP SUNSHIELD COVER
- ENCLOSURE INSULATION**
- 1/2 RADIANT BARRIER (STANDARD)
 - 3/4 RADIANT BARRIER
 - 1 RADIANT BARRIER
 - NOT REQUIRED
- FAN SERVICE DOOR**
- FAN SERVICE DOOR
 - NOT REQUIRED
- ENCLOSURE INSULATION**
- 1/2 RADIANT BARRIER (STANDARD)
 - 3/4 RADIANT BARRIER
 - 1 RADIANT BARRIER
 - NOT REQUIRED

66" H x 30" W x 12" D 1 DOOR DESIGN



- DOOR ACCESSORIES**
- DOOR SWITCH
 - PRINT POCKET
- INTERIOR PLATE**
- COATED STEEL (IP6630-CS)
 - COATED ALUMINUM (IP6630-AL)
 - 304 STAINLESS STEEL (IP6630-S4)
 - 316 STAINLESS STEEL (IP6630-S6)

66" H x 30" W x 12" D 1 DOOR DESIGN

- DOOR STOPPER**
- INSTALL DOOR STOPPER
 - NOT REQUIRED

**BASE ACCESS COVER PLATE
(OPTION)**

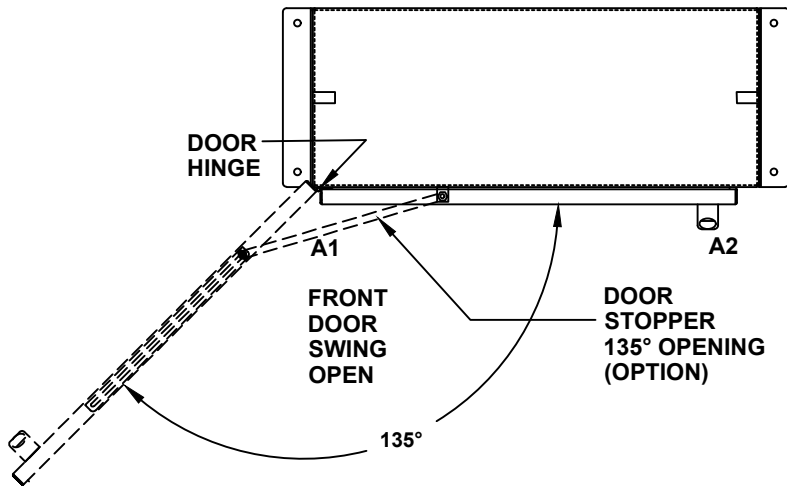
- 8x8 PLATE (6x6 CUT-OUT)
- 8x16 PLATE (6x14 CUT-OUT)
- 12x12 PLATE (10x10 CUT-OUT)
- 16x16 PLATE (14x14 CUT-OUT)

CONDUIT/CABLE SEAL OPTIONS

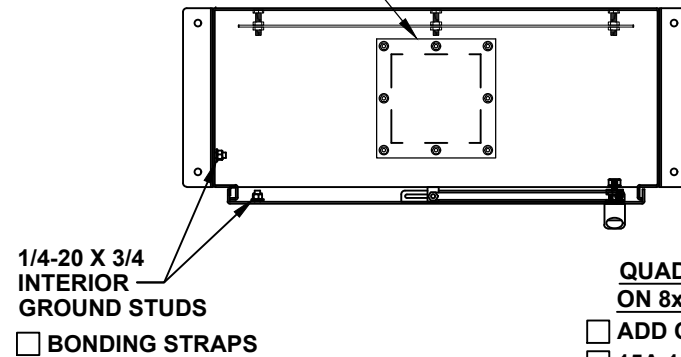
- ROXTEC SEAL SOLUTION
- PIPE FITTING HUB
- CABLE GLAND

SIDE ACCESS COVER PLATE MAT'L

- POWDER COATED STEEL
- POWDER COATED ALUMINUM
- STAINLESS STEEL, 304

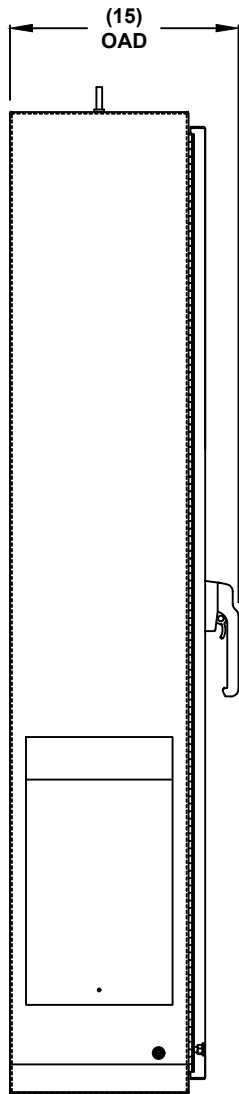


TOP VIEW

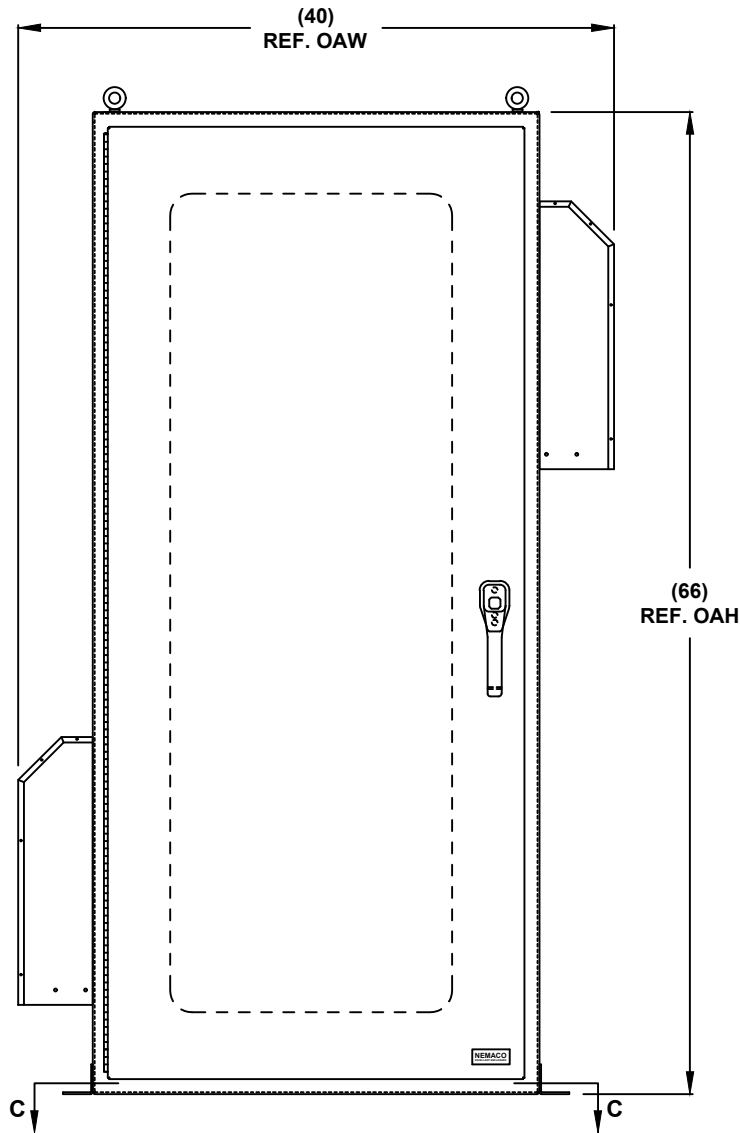


TOP CROSS SECTION VIEW B-B

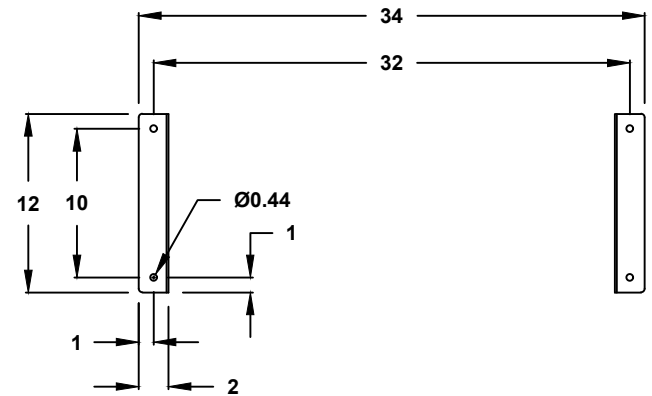
66" H x 30" W x 12" D 1 DOOR DESIGN



LEFT SIDE



FRONT VIEW



CROSS SECTION VIEW C-C
MOUNTING HOLES